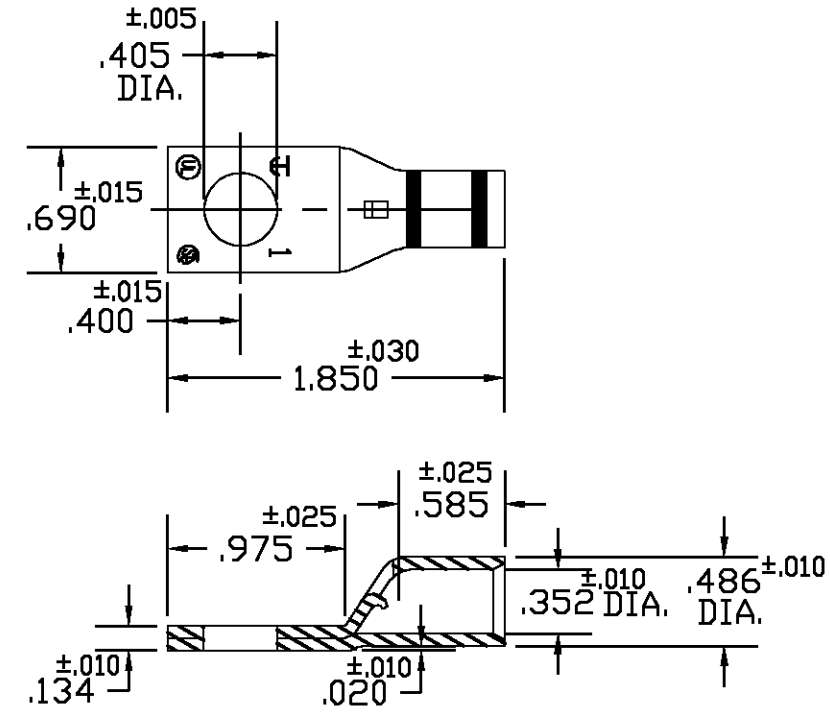


THIS DRAWING IS UNPUBLISHED. RELEASED FOR PUBLICATION  
 © COPYRIGHT BY TYCO ELECTRONICS CORPORATION. ALL RIGHTS RESERVED.

LOC	DIST	REVISIONS					
		P	LTR	DESCRIPTION	DATE	DWN	APVD
G	50		A	REV PER 0G61-0083-02	19DEC02	JR	MS



COLOR CODED GREEN

ACTIVE	1387	STANDARD	COLOR CODED	1527227-3
STATUS	AET P/N	PACKAGING	FINISH	PART NUMBER

THIS DRAWING IS A CONTROLLED DOCUMENT.		DWN D.A.A 11/14/00	Tyco Electronics Corporation Harrisburg, PA 17105-3608	
DIMENSIONS: INCHES		CHK H.D.F 11/14/00		
		APVD H.D.F 11/14/00	NAME TUBULAR TERMINAL #1 STD. BARREL	
MATERIAL COPPER ASTM B-75		FINISH -	PRODUCT SPEC -	APPLICATION SPEC -
TOLERANCES UNLESS OTHERWISE SPECIFIED: 0 PLC ± - 1 PLC ± - 2 PLC ± - 3 PLC ± - 4 PLC ± - ANGLES ± -		WEIGHT -	SIZE A3	CAGE CODE 00779
		CUSTOMER DRAWING	DRAWING NO 1527227	RESTRICTED TO -
		SCALE 1:1	SHEET 1 OF 1	REV A